

1Ø 120/240V. 3 WIRE  
OVERHEAD SERVICE (PREFERRED)

BY BH  
DATE 9-20-85 SMTR-3  
REV. 11 SHEET 1 OF 2

REV. #11 ADDED METER CLEARANCE 05-23-00 -LEK-  
REV. #10 FORMALLY DWG. # DMTR-39.  
REV. #9 PREVIOUSLY DWG. #A-40500

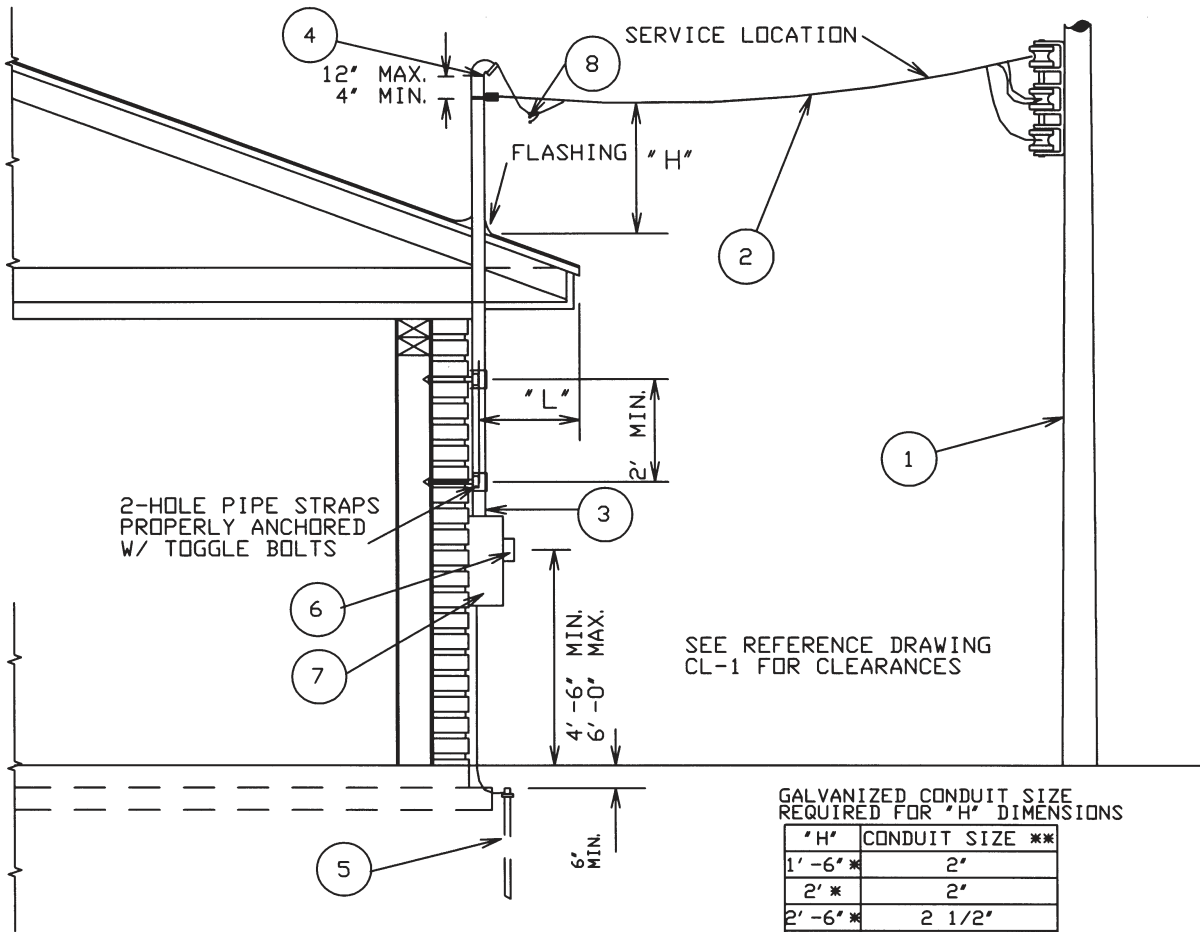
8-89

9-15-70

DRT

9-15-70

CCJ



GALVANIZED CONDUIT SIZE  
REQUIRED FOR "H" DIMENSIONS

"H"	CONDUIT SIZE **
1' -6" *	2"
2' *	2"
2' -6" *	2 1/2"
3'	2 1/2"
4'	2 1/2"
5'	3"
6'	3"
7'	3"
8'	3 1/2"
9'	3 1/2"
10'	3 1/2"

ITEMS:

- ① SCE&G CO. POLE
- ② SERVICE CONDUCTOR
- ③ RIGID GALVANIZED IRON CONDUIT
- ④ WEATHERHEAD
- ⑤ 8' GROUND ROD WITH U. L. APPROVED CLAMP
- ⑥ METER
- ⑦ METER SOCKET
- ⑧ SOURCE SIDE CONNECTIONS AT WEATHERHEAD

\* THESE "H" DIMENSIONS MAY BE USED ONLY WHEN "L" IS 4' OR LESS AND PROPER CLEARANCE OVER SIDEWALK OR STREET IS MAINTAINED

\*\*THESE CONDUIT SIZES ARE CORRECT FOR STANDARD GALVANIZED STEEL CONDUIT. THEY MUST ALSO BE ADEQUATE FOR CONDUCTOR SIZE AS REQUIRED BY CODE.

NOTES:

- A. METER (ITEM 6), POLE (ITEM 1) AND SERVICE CONDUCTOR (ITEM 2) TO BE FURNISHED, INSTALLED AND MAINTAINED BY SCE&G.
- B. ALL ITEMS EXCEPT THOSE NOTED IN A & B ABOVE TO BE FURNISHED, INSTALLED AND MAINTAINED BY THE CUSTOMER.
- C. ENTIRE ASSEMBLY TO MEET SCE&G, NEC, AND ANY LOCAL CODE REQUIREMENTS.
- D. CONNECTIONS AT WEATHERHEAD TO BE MADE BY SCE&G. LOAD SIDE CONNECTIONS TO BE MADE BY THE DEVELOPER.
- E. MINIMUM OF 2 PIPE STRAPS REQUIRED ON CONDUIT TO FIRMLY ATTACH TO BUILDING WALL.
- F. CUSTOMER IS TO FURNISH ADEQUATE POINT OF ATTACHMENT FOR SERVICE DROP.
- G. NO COUPLING ALLOWED BETWEEN WEATHERHEAD AND ROOF LINE OR WITHIN 3' OF EVE.
- H. A 3 FOOT HORIZONTAL CLEARANCE MUST BE OBTAINED FROM ALL SURFACES OF THE METER SOCKET.

**DISTRIBUTION CONSTRUCTION STANDARD**  
**SOUTH CAROLINA ELECTRIC & GAS CO.**