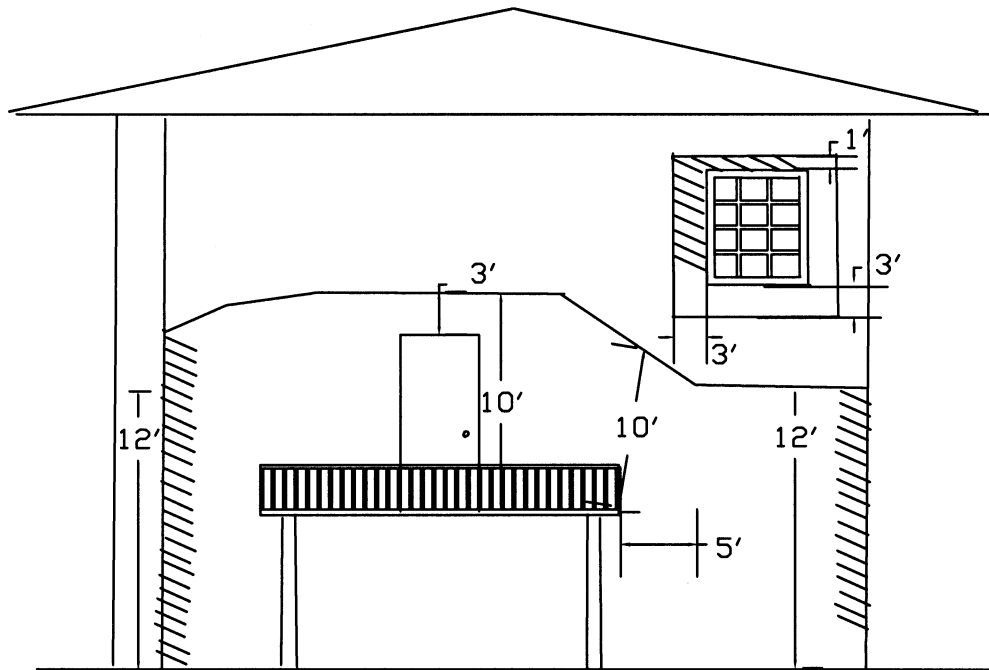
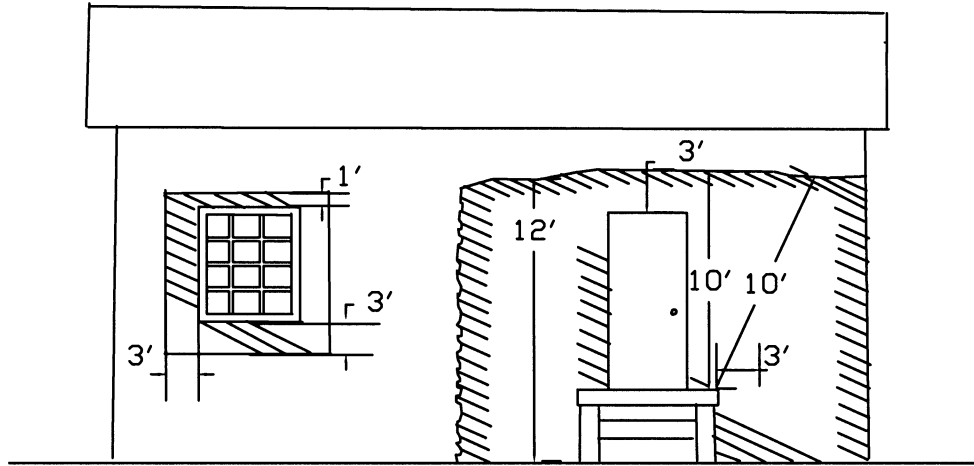


MINIMUM CLEARANCE REQUIREMENTS
ATTACHMENTS TO RESIDENTIAL

BY BH
DATE 9-19-05 CL-00
REV. 0 SHEET 1 OF 1

TRIPLEX CONDUCTOR ATTACHMENT TO RESIDENTIAL HOME
CLEARANCE FOR SERVICE DROP CABLE AT POINT OF ATTACHMENT

REV. 0



16' IS REQUIRED OVER DRIVEWAYS (SEE NESC TABLE 232-1 FOR EXCEPTION)

NOTES:

- 1) TRIPLEX CONDUCTORS SHALL HAVE A CLEARANCE OF NOT LESS THAN 12' FROM THE GROUND OR 10' FROM ANY PLATFORM OR PORCH FROM WHICH THEY MIGHT BE REACHED. (SEE CHART 3-1 FOR THE MINIMUM ATTACHED HEIGHT.)
- 2) TRIPLEX CONDUCTORS SHALL HAVE A CLEARANCE OF NOT LESS THAN 3' FROM WINDOWS, DOORS, PORCHES, FIRE ESCAPES, OR SIMILAR LOCATIONS, ON THE GROUND

DISTRIBUTION CONSTRUCTION STANDARD
SOUTH CAROLINA ELECTRIC & GAS CO.